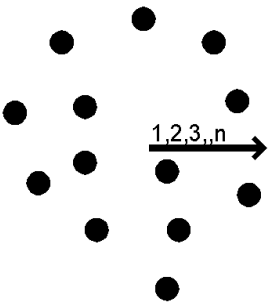
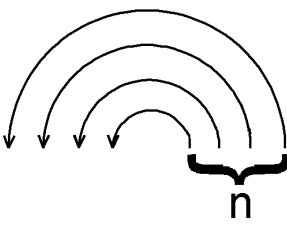
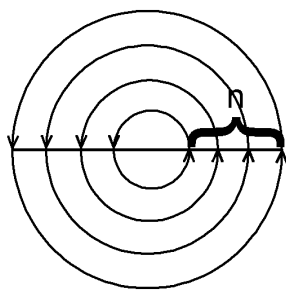


The Permutive Gravity Hypothesis, $G = [2r^2(U^0/2)] = 4\pi^2$

How the total Energy of the Universe U^0 , when analyzed down to a set of n near-infinitesimals n^n possible ways total Energy of the Universe, U^0 , when analyzed down to a set of n near- (called "primons"), each 10^{-71} erg, if resynthesized by permuting' within their (as specified below) could constantly form a curved space and action of gravity.

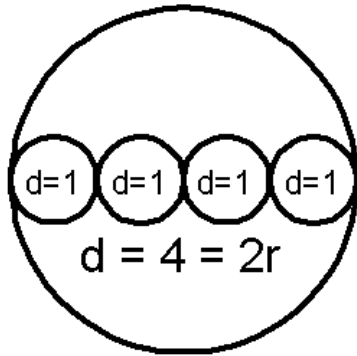
The GRAVITY SYSTEM	[INPUT	THRUPUT	OUTPUT]
<p>"PRIMON PERMUTINGS ORGANIZE GRAVITY"</p> <p>as 1 of 4 subsystems or stages of a cosmo-cycle by the Mass-Time Triangle or Epicosm Equation</p> <p>$a/ct=1= U^0$</p>	<p>HYP: If the cosmic set of n primons, in m staggered cohorts, at t phases of their life cycles,...</p> <p>$U^0/2=1/2$</p> <p>Each half-universe...</p>	<p>...permute, internally and externally and successively (as specified below)...</p> <p>$[2r^2(1/2)]^2$</p> <p>... if permuted in & between halves...</p>	<p>...then they constantly form a dynamic curved space & gravitational action.</p> <p>$4\pi^2=G$</p> <p>...produces the G constant.</p>

<p>STEP 1: <u>Ordering</u> <u>Randomness</u> forms a vector length $n = n$</p> 	<p>STEP 2: <u>Reversing an ordering</u> forms a half circle (or a permuted half set of radius n</p> <p>$\Gamma(1/2)n = \pi n$</p> <p>π</p> 	<p>STEP 3: <u>Repeating a reversal</u> forms a full cycle of diameter $2n$</p> <p>$\pi n + \pi n = 2 \pi n$</p> <p>π</p> 
--	--	--

STEP 4: Repeating t cycles
forms a supercycle of radius

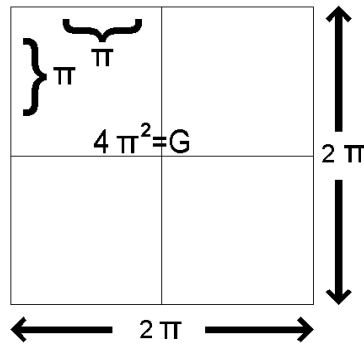
$$r = 2\pi r_t$$

$n=rt$, all integers



STEP 5: A Self-product of a cycle
forms its square or the gravitation
constant G

$$G = 2\pi \times 2\pi = 4\pi^2 (2\pi^2)$$



STEPS 5+ : (Further
steps)

t successive self-products
form the t levels of cosmic
organization
(See Mass-Time Triangle)

$$y = (2\pi)^{2^t}$$

